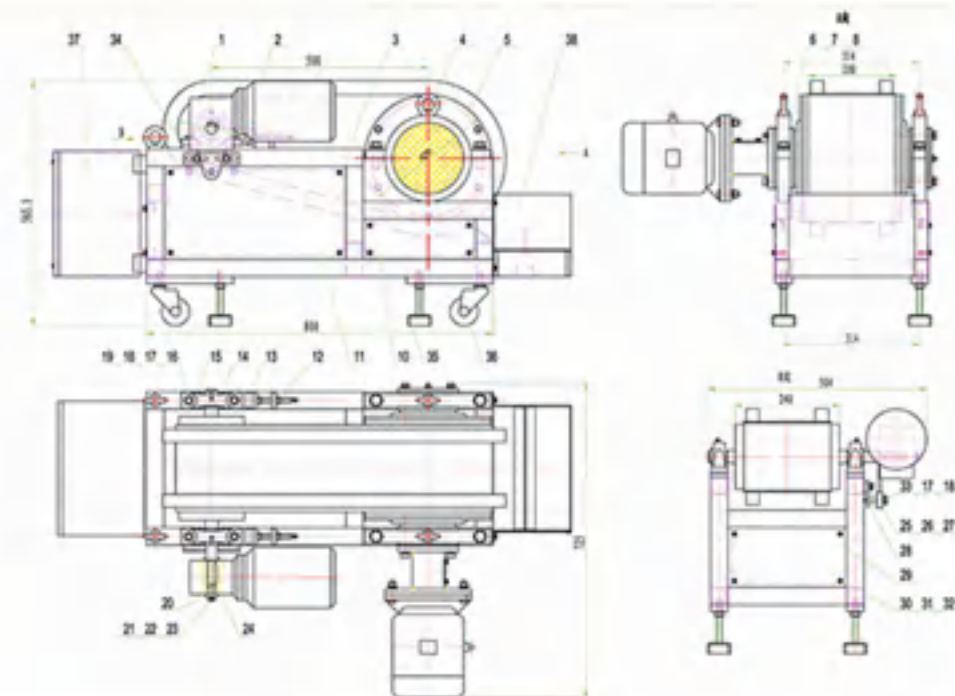
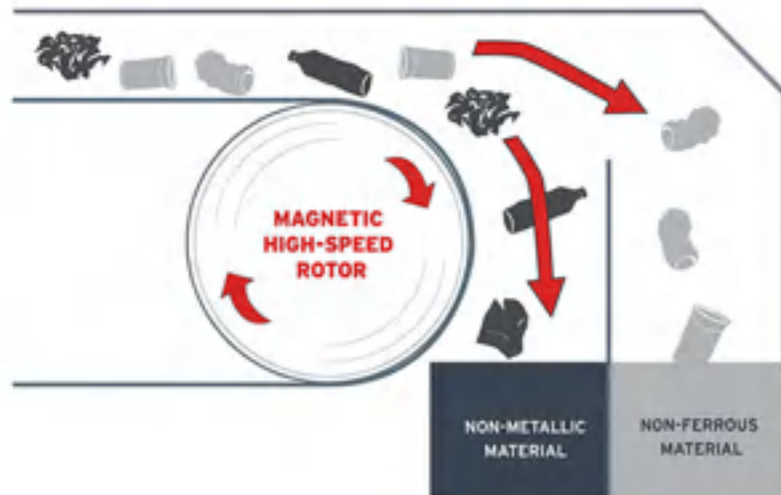


# LABORATORY EDDY CURRENT SEPARATOR



## Laboratory Eddy current separator

*This product is a small sized eddy current separator used for related laboratory. Laboratory equipment with eddy current separator for experiment used in non-ferrous metal removing*



Model	Belt Width	Driving Motor Power	Rotor Motor Power	Belt Speed	Rotor Speed	Weight	Dimension
ECS20A	200 mm	0.25 Kw	1.1 Kw	0-2 m/s	0-3000 rpm	200 kg	800*500*700 mm